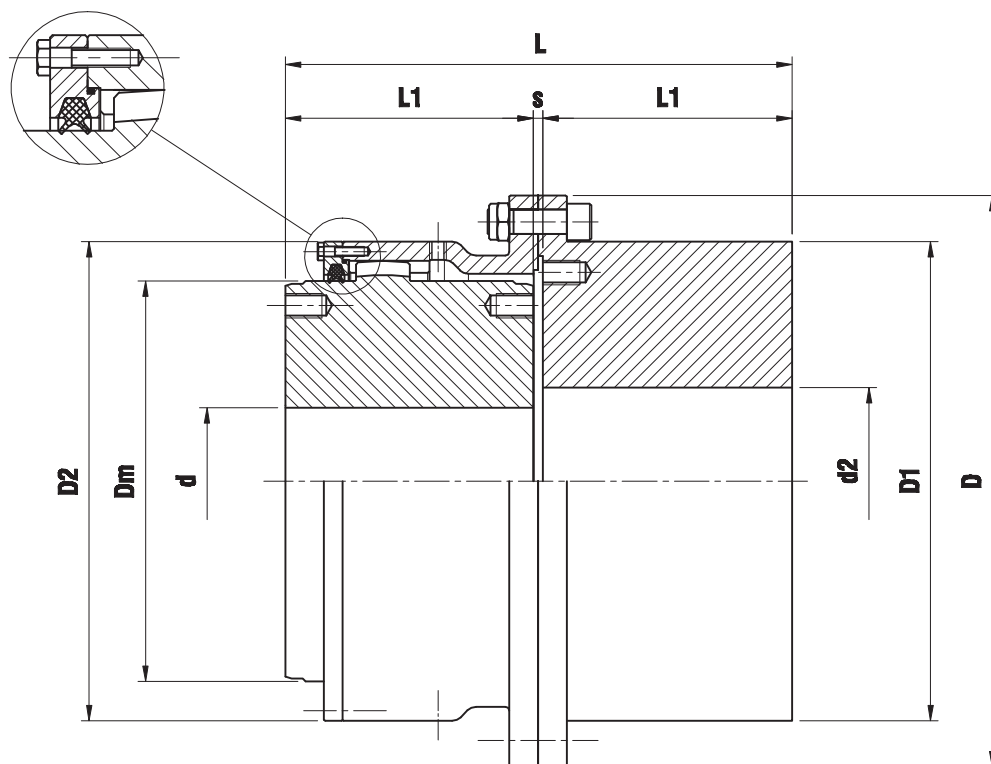


ZAR series

One oscillating and one rigid hub, with open bell



TYPE	TECHNICAL DATA					DIMENSIONS (mm)								WEIGHT (Kg)
	$\frac{N}{n} = \frac{\text{kW}}{\text{rpm}}$	Torque (kNm)		Max Speed (rpm)	PD ² (Kgm. ²)	d max.	d2 max.	D	D1	Dm	L	L1	S	
		Nominal	Peak											
Z.A.R - 580	28,60	273	546	1150	92,5	325	370	580	495	400	512	250	12	740
Z.A.R - 630	39,80	380	760	1000	149,7	370	405	630	545	450	562	275	12	990
Z.A.R - 700	51,30	490	980	910	253,3	400	440	700	590	490	622	305	12	1330
Z.A.R - 760	68,60	655	1310	830	369,2	430	485	760	650	550	672	330	12	1720
Z.A.R - 825	86,90	830	1660	700	570,9	475	535	825	715	610	722	355	12	2210
Z.A.R - 885	102,40	978	1956	650	777,6	510	570	885	755	650	780	380	20	2660
Z.A.R - 935	123,50	1180	2360	620	1054,5	530	610	935	805	680	840	410	20	3210
Z.A.R - 1010	160,80	1536	3072	560	1568	580	600	110	880	750	880	430	20	4030
Z.A.R - 1085	187,70	1793	3586	530	2124	610	700	1085	930	790	950	460	30	4800
Z.A.R - 1185	259,70	2480	4960	480	3455	680	780	1185	1030	870	1050	510	30	6500
Z.A.R - 1340	365,20	3488	6976	420	6335	780	880	1340	1165	1000	1150	560	30	9240
Z.A.R - 1440	459,40	4387	8774	390	9541	860	960	1440	1265	1100	1260	610	40	11860
Z.A.R - 1575	612,50	5850	11170	315	15310	950	1060	1575	1400	1220	1360	660	40	15650
Z.A.R - 1705	742,80	7094	14188	290	21805	1020	1135	1705	1500	1310	1460	710	40	19350
Z.A.R - 1805	879,60	8400	16800	270	29890	1090	1215	1805	1600	1400	1560	760	40	23310
Z.A.R - 1935	1069,70	10474	20948	250	49656	1180	1315	1935	1730	1520	1660	810	40	29150

Weights and PD² are calculated considering hubs without bore.