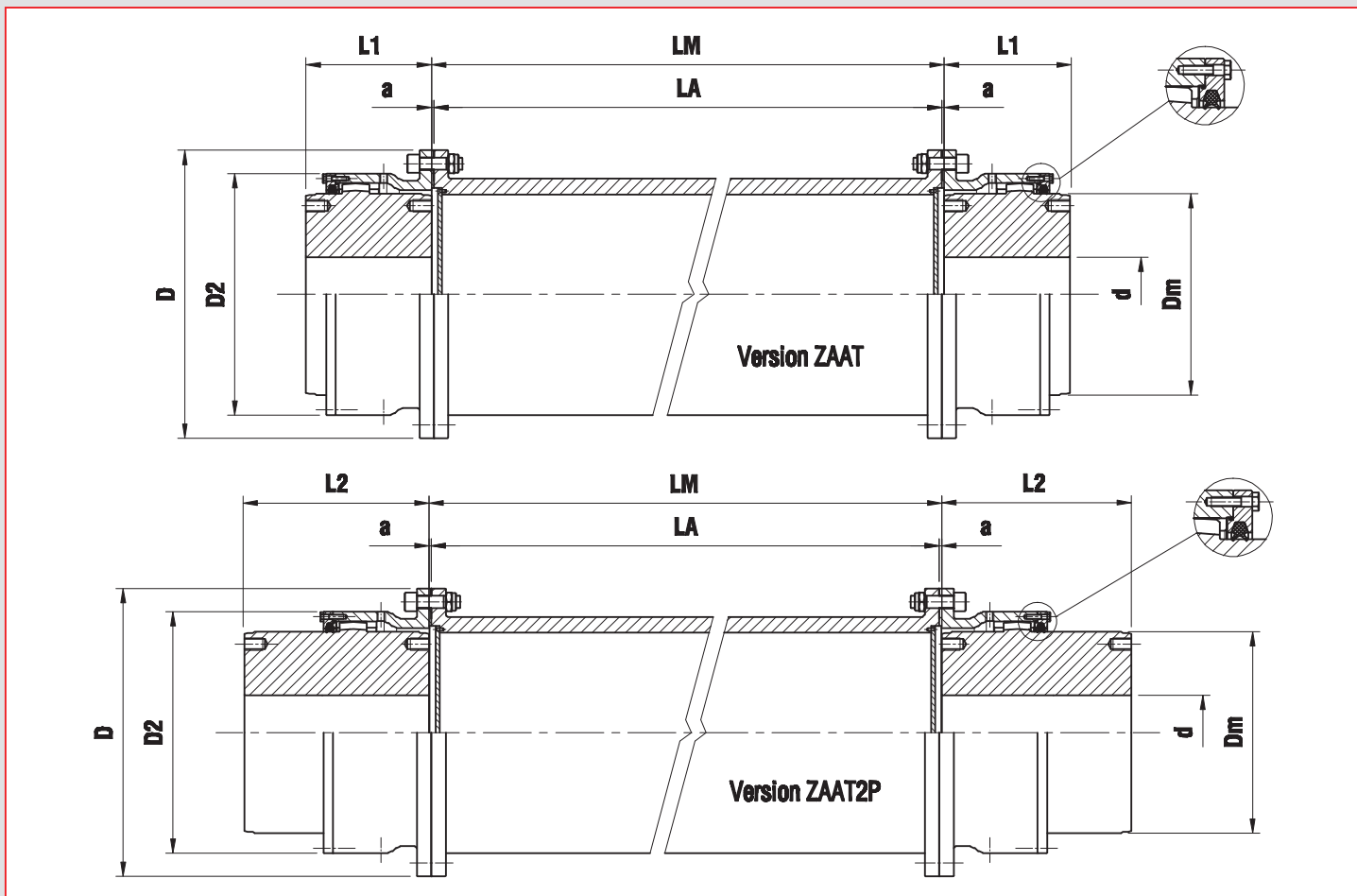


## ZAAT - ZAAT2P series

Two oscillating hubs, open bells and spacer



SIZE	TECHNICAL DATA				DIMENSIONS (mm)						
	$\frac{N}{n} = \frac{\text{kW}}{\text{rpm}}$	Torque (kNm)		Max Speed (rpm)	d max.	D	D2	Dm	L1	L2	a
		Nominal	Peak								
580	28,60	273	546	1150	325	580	506	400	250	350	6
630	39,80	380	760	1000	370	630	556	450	275	380	6
700	51,30	490	980	910	400	700	606	490	305	410	6
750	68,60	655	1310	830	430	760	666	550	330	440	6
825	86,90	830	1660	700	475	825	730	610	355	470	6
885	102,40	978	1956	650	510	885	770	650	380	510	10
935	123,50	1180	2360	620	530	935	820	680	410	535	10
1010	160,80	1536	3072	560	580	1010	900	750	430	570	10
1085	187,70	1793	3586	530	610	1085	950	790	460	600	15
1185	259,70	2480	4960	480	680	1185	1050	870	510	640	15
1340	365,20	3488	6976	420	780	1340	1190	1000	560	680	15
1440	159,40	4387	8774	390	860	1440	1290	1100	610	720	20
1575	612,50	5850	11170	315	950	1575	1430	1220	660	770	20
1705	742,80	7094	14188	290	1020	1705	1530	1310	710	820	20
1805	879,60	8400	16800	270	1090	1805	1630	1400	760	870	20
1935	1069,70	10474	20948	250	1180	1935	1760	1520	810	920	20

Specify the dimension LM and speed when making the request.